

data sheet

Automatic Twin-Processor **Automatic Twin-Processor**

DOUBLE DECKER DD

Imageline DD 56 OL

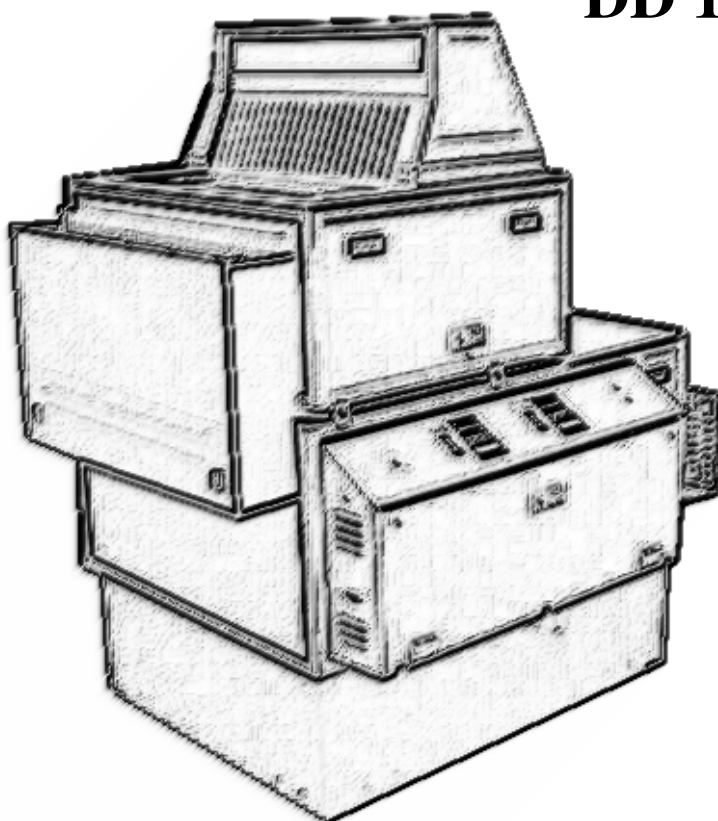
DD 68 OL

DD 80 OL

DD 95 OL

DD 110 OL

FILM & PLATE



Colenta[®]

for Graphic Art Films and PE-Printing Plates (up to 0,3 mm)

PLATE - 125 cm/min at 20 sec ACT time

FILM - 175 cm/min at 20 sec DEV time

03/2001 AN

Colenta Imageline®

DD-model processors have 9 programmable processing channels (9 for FILM & 9 for PLATE), an intermediate rinse bath rack system, covered stand, hose/tube connection (100 mm dia.) facility for ventilation of the processors wet-section to an external exhaust fan and supplied with 4 x 30 lt replenishment storage tanks

With level control in both, DEV/FIX and ACT/STAB processor tanks to automatically “top-up” chemistry when levels are low.

With level control in wash tanks: high/low level monitoring with alarm warning.

With automatic wash tank “fill” when processor is switched on.



Technical Specifications

Processing applications **FILM**: Films, RC-paper, Rolls/Cut sheets of all commonly used GA-Film/Paper inclusive of I.R.Material

Processing applications **PLATE** : All commonly used PE-Printing PLATES

Film thickness: up to 0,18mm (7mil)
 Plate thickness: up to 0.3mm
 Material width: min. 7,5 cm max. **56/68/80/95/110**cm
 Material length: min. 10 cm
 Time in DEVELOPER: min. 20 sec - max. 100 sec
 Time in ACTIVATOR: min. 17 sec - max. 100 sec
 Input speed. **PLATE : 20sec/ACT-Time 125cm/min**
FILM : 20sec/DEV-Time 175cm/min

| Tank capacity - FILM | Developer Fixer: Wash water: | DD 56 | DD 68 | DD 80 | DD 95 | DD 110 |
|--------------------------------|------------------------------------|-------|-------|-------|-------|--------|
| | | 13l | 16L | 19L | 21L | 23L |

| Tank capacity - PLATE | Activator Stabilizer Wash water: | DD 56 | DD 68 | DD 80 | DD 95 | DD 110 |
|---------------------------------|--|-------|-------|-------|-------|--------|
| | | 9L | 13L | 15L | 18L | 20L |

Solution heating(**Fix and DEV**): adjustable in a range of 18°C - 43°C (separate inline 550W heaters)
 Solution heating(**Activator**): adjustable in a range of 18°C - 43°C (separate inline 350W heaters for DD 56 - 95) (separate inline 550W heaters for DD 110)

Dryer **Film**: warm air
 variable in a range of 18°C - 50°C

Dryer **Plate**: warm air
 variable in a range of 18°C - 50°C

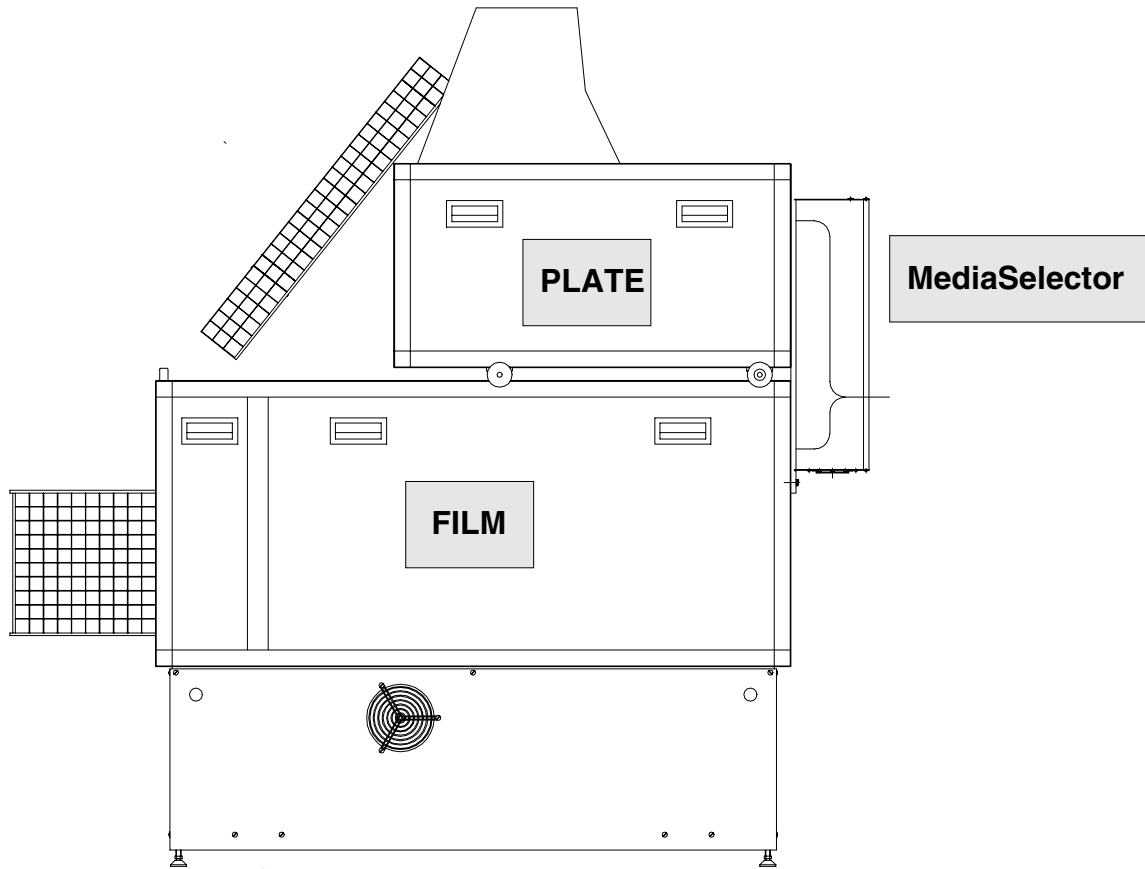
Replenishment **Film & Plate**: fully automatic.
 replenishment is microprocessor controlled and calculated from information received from sensors measuring the width and length of material entering the processor. Replenishment cycles are adjustable.

Wash water distribution: **FILM & PLATE**: built in 4-way magnetic valve
 Wash water flow rate: 2 ltr/min when film/plate is processed
 Wash water supply pressure: 3 - 10 bar for **FILM&PLATE**
 Wash water supply temp.: filtered at a temperature of 8°C - 18°C with 3/4" hose connection

| Wash water drain: | 32mm (5/4inch) hose or tube | | | | | |
|-------------------|-----------------------------|--------|--------|--------|--------|--------|
| | DD 56 | DD 68 | DD 80 | DD 95 | DD 110 | |
| <u>Weight</u> : | Empty | 421 kg | 452 kg | 485 kg | 507 kg | 547 kg |
| | With solution | 486 kg | 538 kg | 585 kg | 621 kg | 668 kg |

Technical specification subject to change without notice.

GLOSSARY



PLATE

56 PL-DD
68 PL-DD
80 PL-DD
95 PL-DD
110 PL-DD

FILM

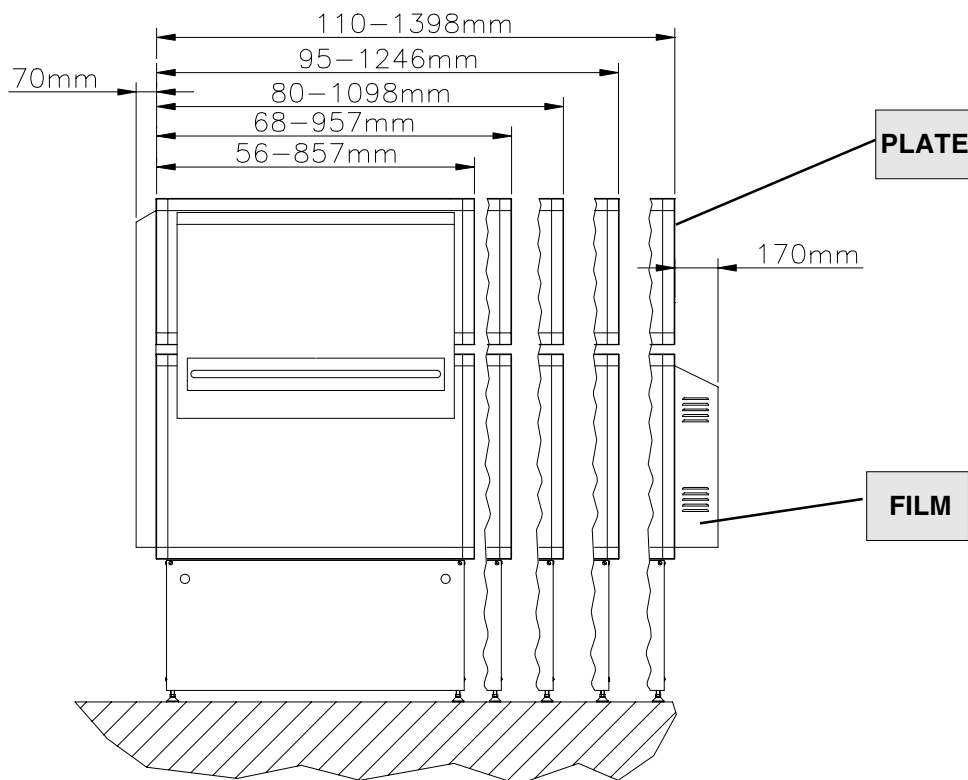
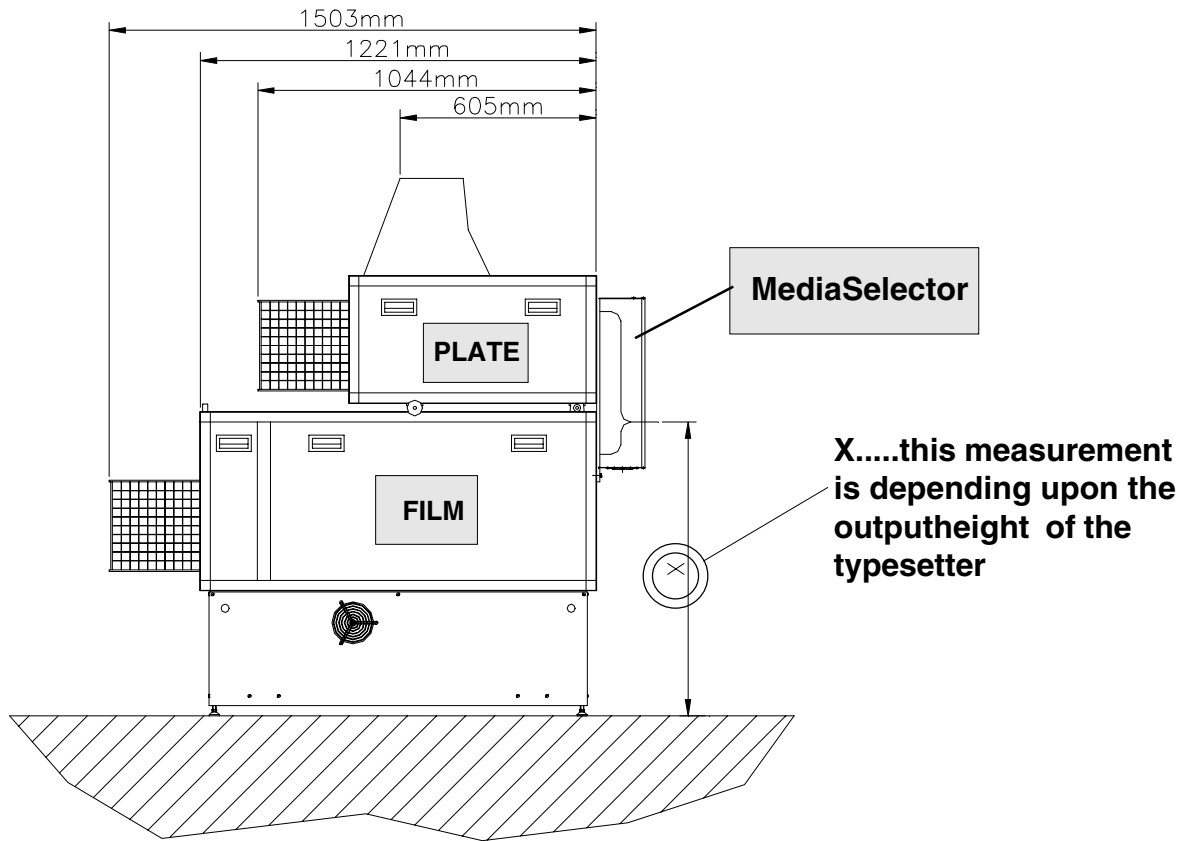
56 SP-DD
68 SP-DD
80 SP-DD
95 SP-DD
110 SP-DD

MediaSelector

56 MS-DD
68 MS-DD
80 MS-DD
95 MS-DD
110 MS-DD

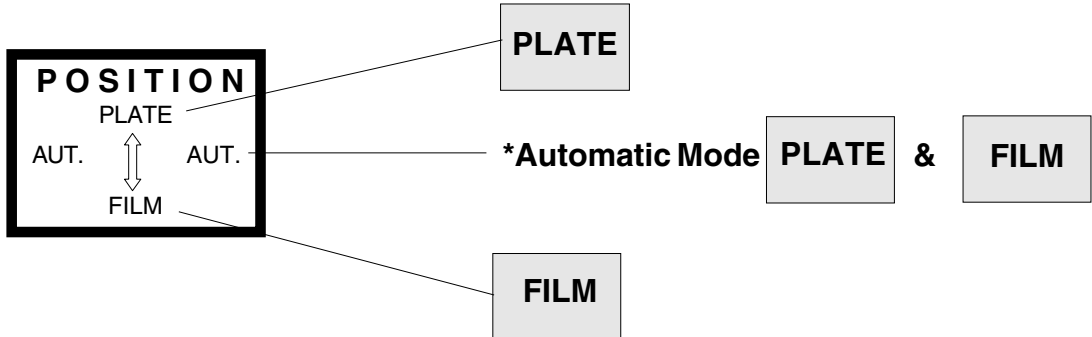
DD- 56 OL
DD- 68 OL
DD- 80 OL
DD- 95 OL
DD-110 OL

Dimensions of DD TWIN:

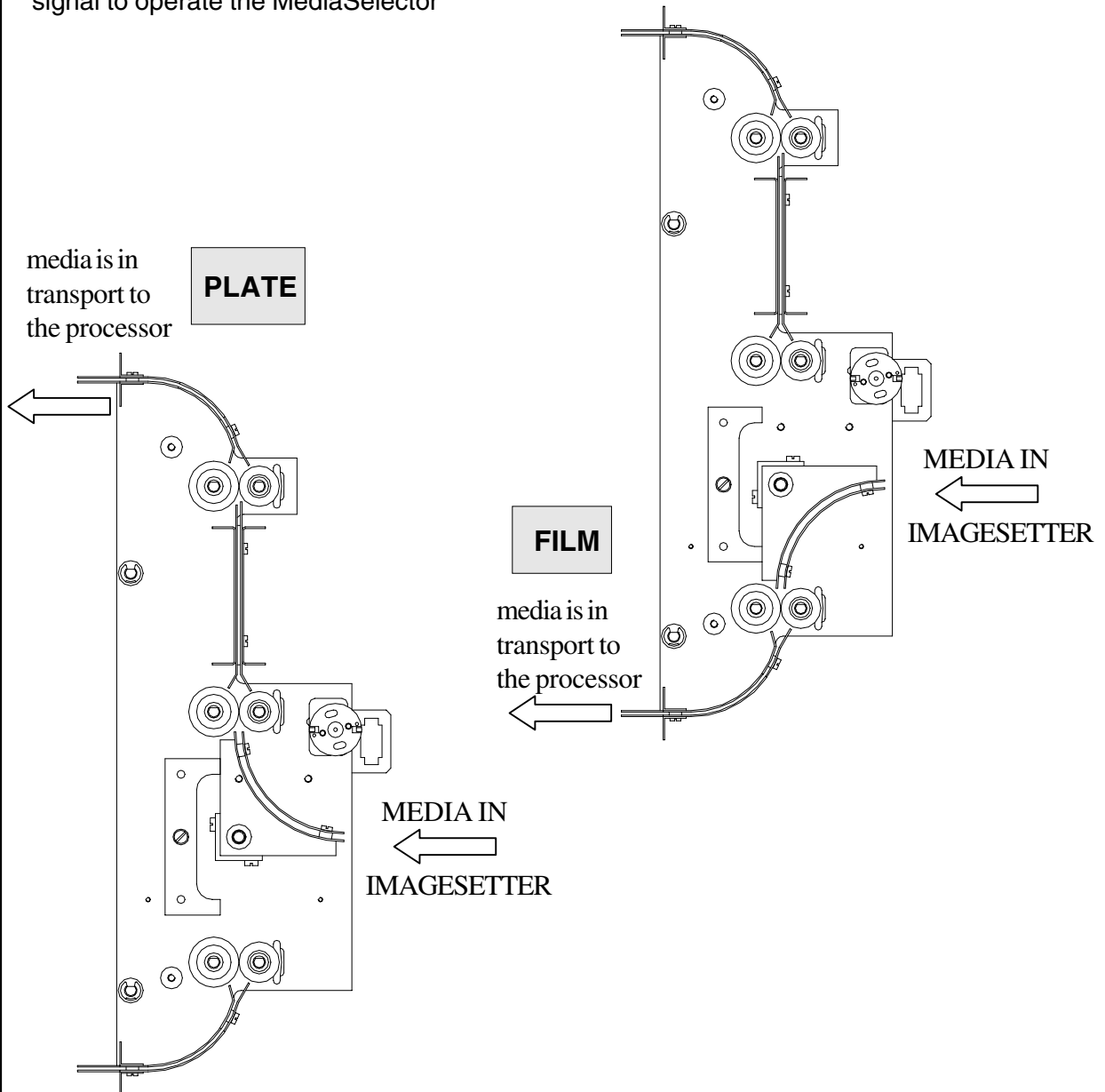


WORKING WITH THE MEDIA SELECTOR

MEDIA SELECTOR

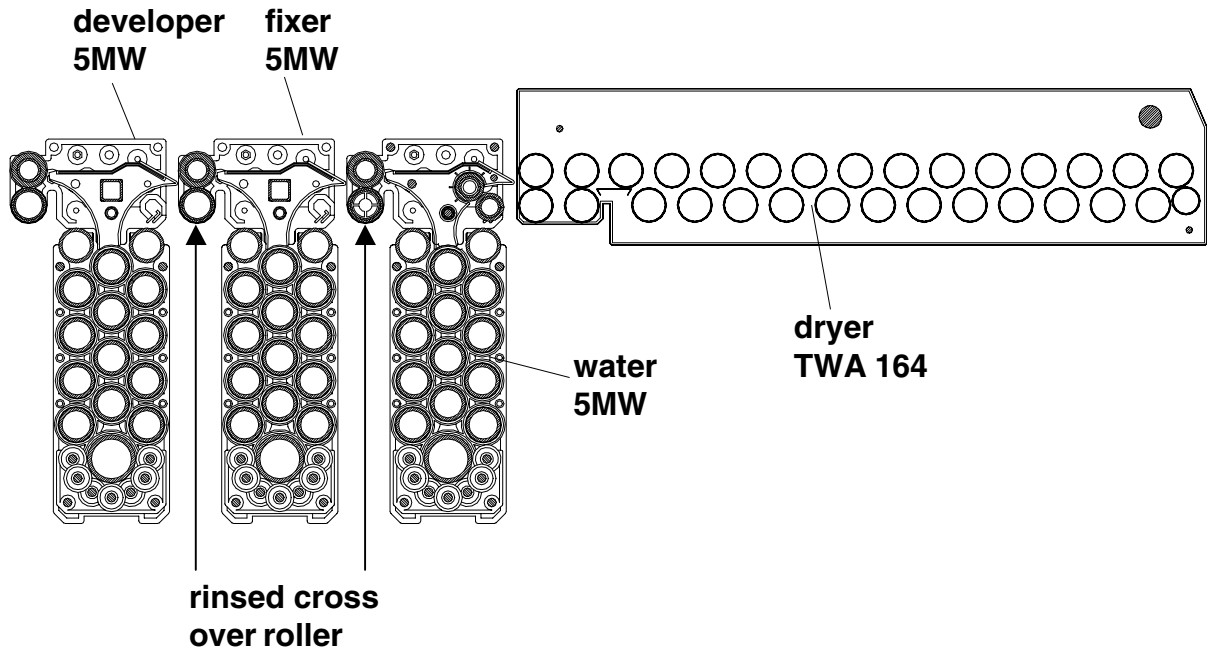


* To work with the Automatic Mode the Film and the Plate-processor must have reached working conditions and Typesetter must be able to supply the corresponding control signal to operate the MediaSelector

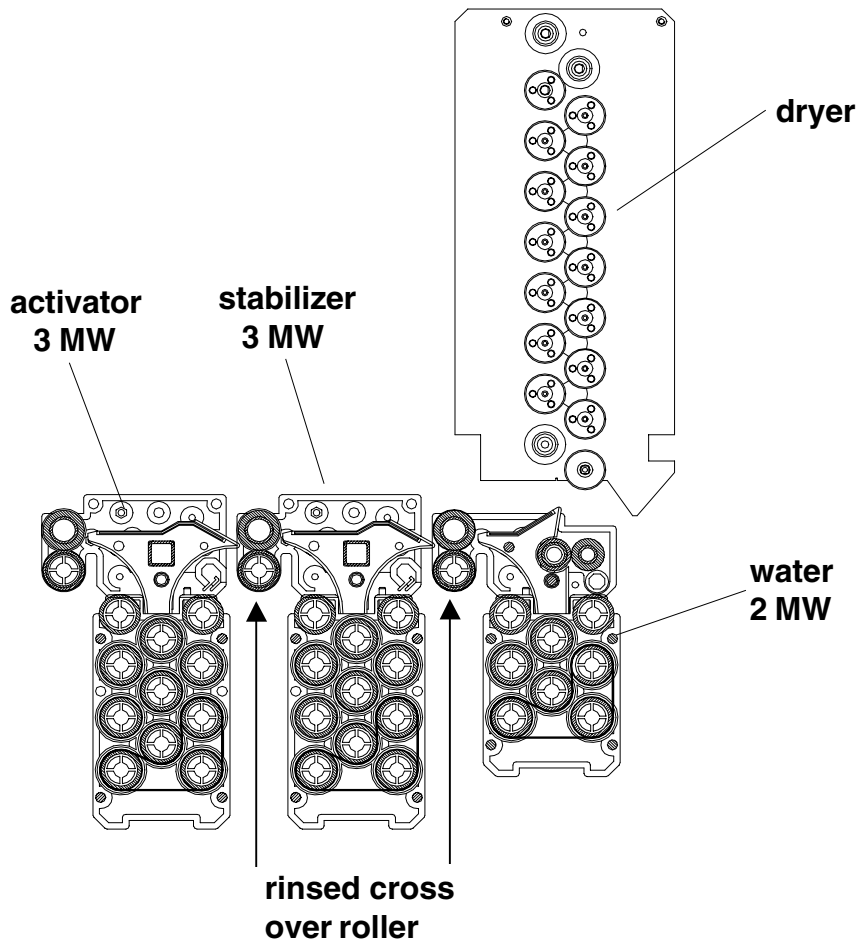


TRANSPORT SYSTEM:

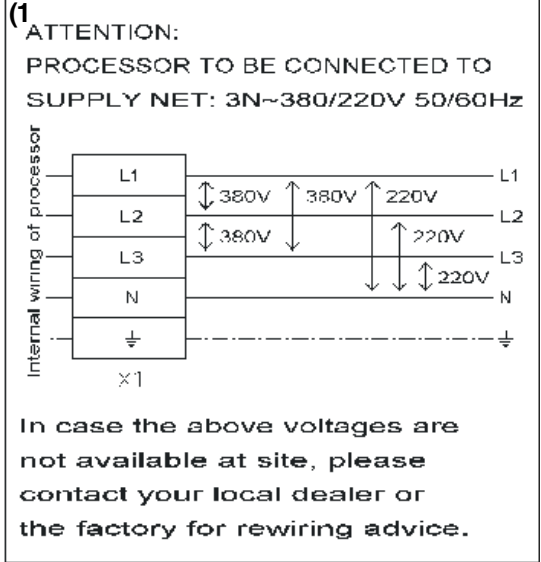
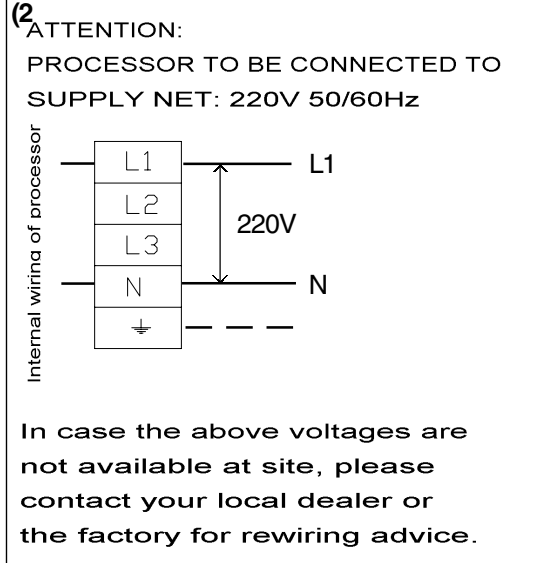
FILM



PLATE



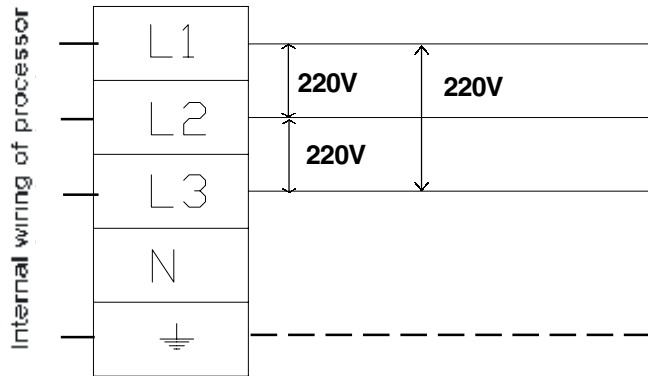
Electrical supply: (Standard, when 3N~400/230V, 50/60 Hz supply available)

| | | |
|--|--|---|
| FILM | 3N~ 400/230V 50/60Hz ⁽¹⁾ | |
| <p>DD 56</p> <p>DD 68</p> <p>DD 80</p> <p>DD 95</p> <p>DD 110</p> | <p>6,4 kW 13 A</p> <p>6,5 kW 13 A</p> <p>6,5 kW 13 A</p> <p>8,2 kW 16 A</p> <p>20 A 11,5 kW</p> | <div style="border: 1px solid black; padding: 5px;"> <p>(1) ATTENTION: PROCESSOR TO BE CONNECTED TO SUPPLY NET: 3N~380/220V 50/60Hz</p>  </div> |
| PLATE | 220V~ 50/60Hz ⁽²⁾ | |
| <p>DD 56</p> <p>DD 68</p> <p>DD 80</p> <p>DD 95</p> <p>DD 110</p> | <p>3,2 kW 13 A</p> <p>3,2 kW 13 A</p> <p>3N~ 400/230V ⁽¹⁾ 50/60Hz</p> <p>4,0 kW 13 A</p> <p>4,8 kW 13 A</p> <p>6,1 kW 13A</p> | <div style="border: 1px solid black; padding: 5px;"> <p>(2) ATTENTION: PROCESSOR TO BE CONNECTED TO SUPPLY NET: 220V 50/60Hz</p>  </div> |
| MediaSelector | 12V- DC <small>(supplied by processor)</small> | |

Electrical supply:

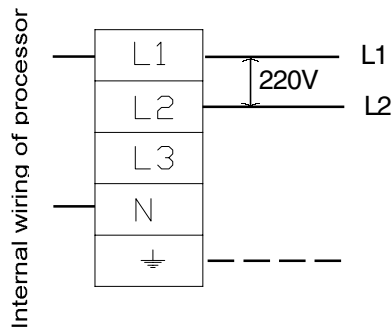
(alternatives, to be indicated when ordering)

**ATTENTION:
PROCESSOR TO BE CONNECTED TO
SUPPLY NET: 3 x 220V**



In case the above voltages are not available at site, please contact your local dealer or the factory for rewiring advice.

⁽²⁾
**ATTENTION:
PROCESSOR TO BE CONNECTED TO
SUPPLY NET: 220V 50/60Hz**



In case the above voltages are not available at site, please contact your local dealer or the factory for rewiring advice.

Details for shipment:

Weights and Dimensions without Online Bridge between Imagesetter and Colenta TWINPROCESSOR.

IL DD 56 OL

| | |
|----------------------|--|
| packing dimensions: | 2 carton box on palette 190cm x 111cm x 160cm (L x W x H) |
| packing volume: | 3,3 m ³ |
| weight with packing: | 375 kg |
| | 190cm x 111cm x 110cm (L x W x H) |
| packing volume: | 2,3 m ³ |
| weight with packing: | 210 kg |

IL DD 68 OL

| | |
|----------------------|--|
| packing dimensions: | 2 carton box on palette 180cm x 123cm x 145cm (L x W x H) |
| packing volume: | 3,2 m ³ |
| weight with packing: | 410 kg |
| | 180cm x 123cm x 123cm (L x W x H) |
| packing volume: | 2,7m ³ |
| weight with packing: | 210 kg |

IL DD 80 OL

| | |
|----------------------|--|
| packing dimensions: | 2 carton box on palette 175cm x 155cm x 160cm (L x W x H) |
| packing volume: | 4,3 m ³ |
| weight with packing: | 455 kg |
| | 180cm x 123cm x 145cm (L x W x H) |
| packing volume: | 3,2 m ³ |
| weight with packing: | 275 kg |

Weights and Dimensions without Online Bridge between Imagesetter and Colenta TWINPROCESSOR.

IL DD 95 OL

| | |
|----------------------|--|
| packing dimensions: | 2 carton box on palette 175cm x 155cm x 135cm (L x W x H) |
| packing volume: | 3,6 m ³ |
| weight with packing: | 460 kg |
| | 180cm x 123cm x 145cm (L x W x H) |
| packing volume: | 3,2 m ³ |
| weight with packing: | 310 kg |

IL DD 110 OL

| | |
|----------------------|--|
| packing dimensions: | 3 carton box on palette 175cm x 155cm x 135cm (L x W x H) |
| packing volume: | 3,6 m ³ |
| weight with packing: | 340 kg |
| | 180cm x 123cm x 145cm (L x W x H) |
| packing volume: | 3,2 m ³ |
| weight with packing: | 290 kg |
| | 180cm x 123cm x 145cm (L x W x H) |
| packing volume: | 3,2 m ³ |
| weight with packing: | 310 kg |