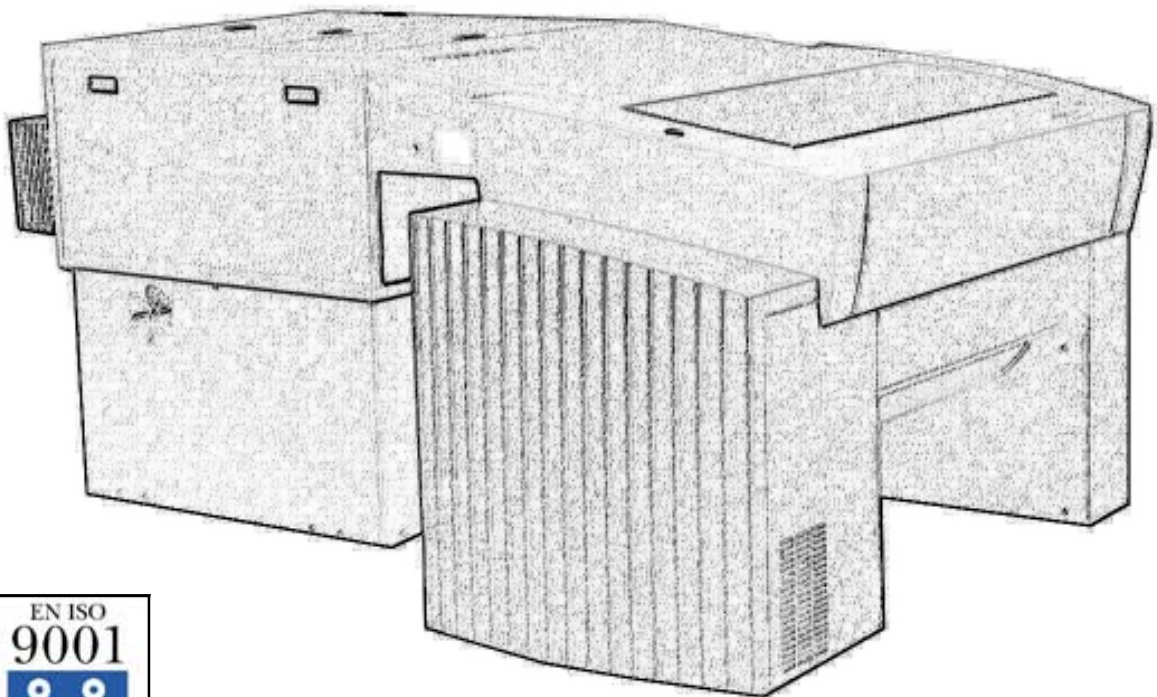


data sheet
COLENTA ONLINE
SYSTEM
IL ACS 80S/110S OL-HC
for
Heidelberg Primesetter 74/102



Colenta[®]

for Graphic Art PE-Printing Plates (up to 0,3 mm)
IMAGELINE S - TYPE 125 cm/min at 20 sec dev time

Colenta Imageline®

IL ACS 80S/110S OL-HC

Technical Specifications

All S-Type processors with 9 preprogrammable processing cycles, intermediate rinse bath rack system, covered stand, hose/tube connection (100 mm diam.) facility for ventilation (external fan) of wet-section of processor, with 2 x 30 ltr. replenisher tanks

- **With** level control in processor's dev/fix-tanks, incl. automatic fill up of chemistry in case of too low dev/fix-level.
- **With** level control in wash tanks, monitoring too high/low level, read out/alarm on controller display.
- **With** automatic waterfill up when processor is switched on.
- **With** filter in developer circulation system, incl. preprogrammable filter change setting/alarm, derived from m²-amount of processed media, with read out on display
- **With** hose/tube (100 mm diam.) connection facility, for ventilation (external fan) of wet-section of processor

Processing applications: Rolls/Cut sheets of all commonly used film/PE-printing plates, inclusive I.R.Material

Plate thickness: min. 0,10 mm up to 0,3mm
 Material width: min. 7,5 cm max. **80 & 110 cm**
 Time in Developer: min. 20 sec - max. 92 sec
 Input speed: **at 20sec/DEV-Time.....125cm/min**

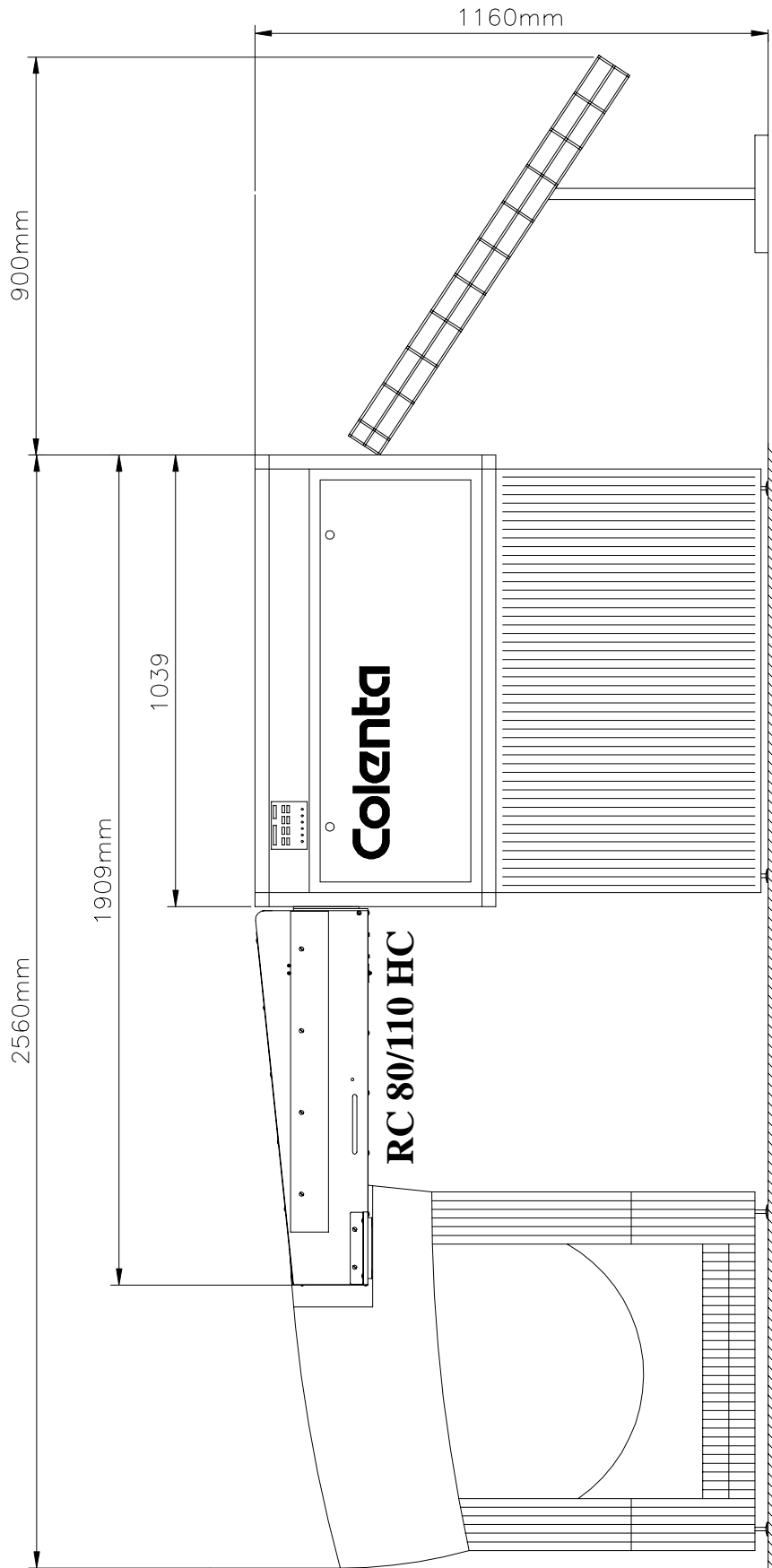
		IL 80S/OL-HC	IL 110S/OL-HC
Tank capacity -	DEV	16l	20l (with filter)
	FIX	15l	20l
	WASH	13.5l	17.5l

Solution heating(DEV and FIX): adjustable in a range of 18°C - 43°C (separate inline 350/550W heaters)
Dryer: warm air
 adjustable in a range of 18°C - 55°C
Replenishment: fully automatic.
 replenishment is microprocessor controlled and calculated from information received from sensors measuring the width and length of material entering the processor. Replenishment cycles are adjustable.

Wash water distribution: built in 3-way magnetic valve
Wash water flow rate: 2,5 ltr/min when film is processed
Wash water supply pressure: 3 - 10 bar
Wash water supply: filtered at a temperature of 8°C - 15°C with 3/4" hose connection
Wash water drain: 32mm (5/4inch) hose or tube

		IL 80 S/OL-HC	IL 110 S/OL-HC
Weight:	Empty	340 kg	415 kg
	With solution	384 kg	473 kg

DIMENSIONS: IL ACS 80/110 OL-HC

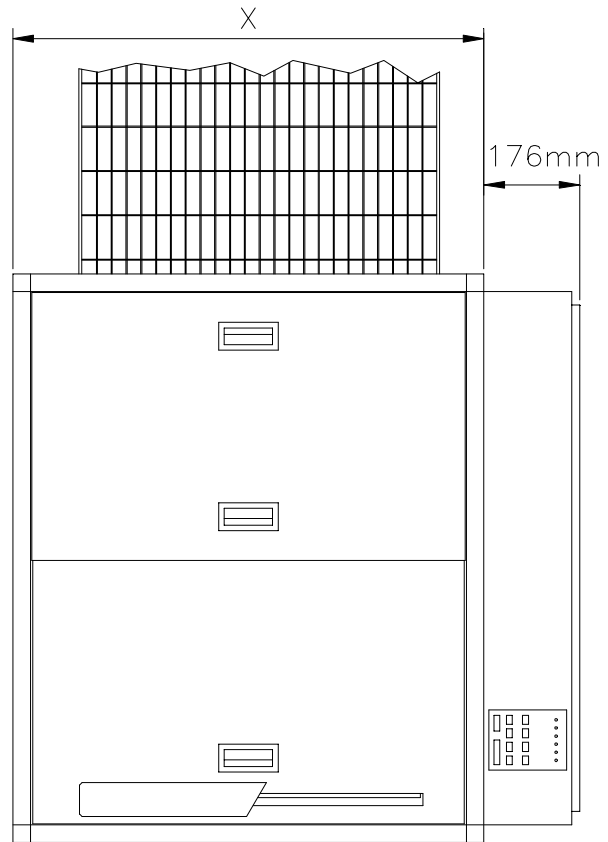


Processor IL ACS 80S/110S OL - HC

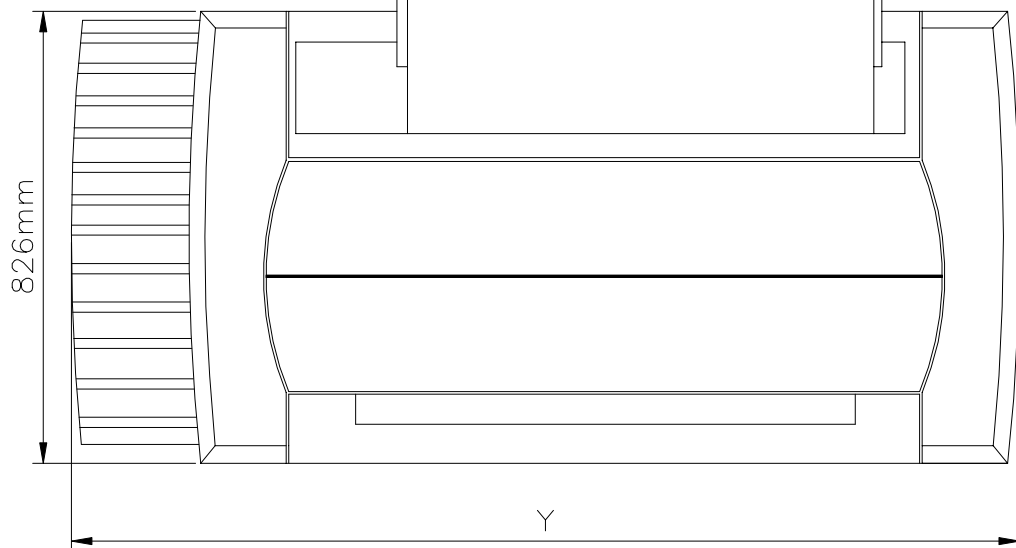
Primesetter 74/102

DIMENSIONS: IL ACS 80/110 OL-HC

X.....
for IL ACS 80 S/OL-HC....1100mm
for IL ACS 110 S/OL-HC...1398 mm



Y.....
for Primesetter 74....1727mm
for Primesetter 110....2047mm

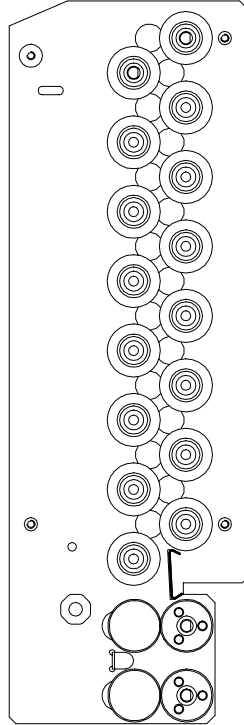


TRANSPORTSYSTEM for:

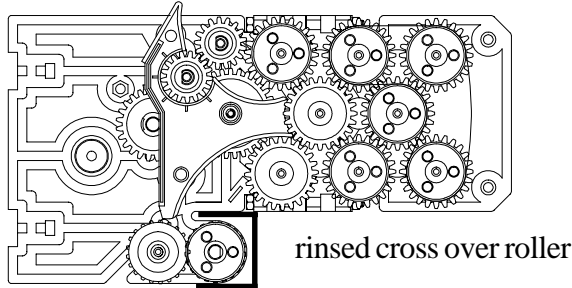
Colenta[®]

IL ACS 80/110 OL-HC

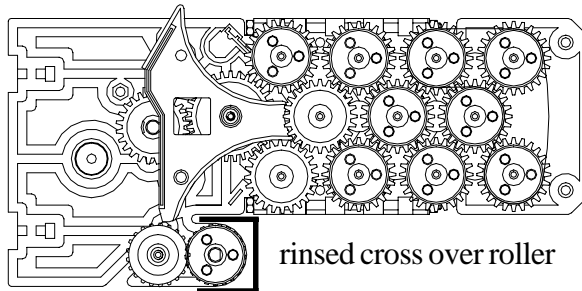
DRYER



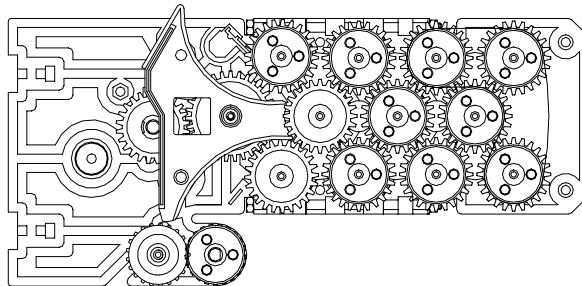
WASH



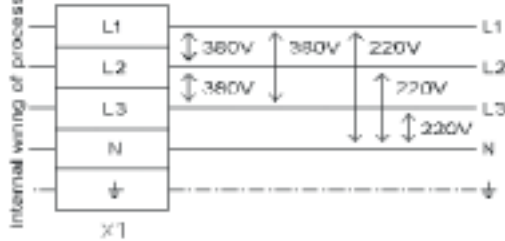
STAB



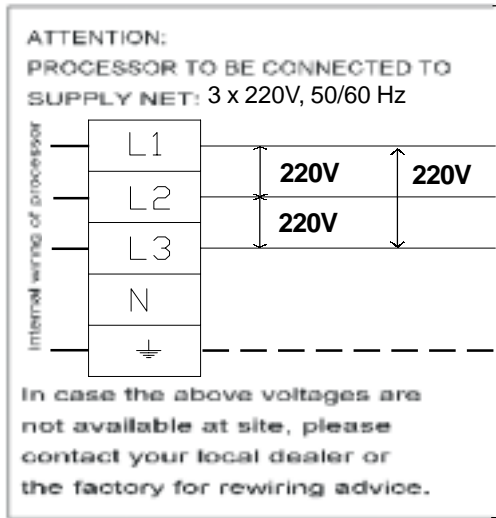
ACT



Electrical supply: (Standard, when 3N~400/230V, is available)

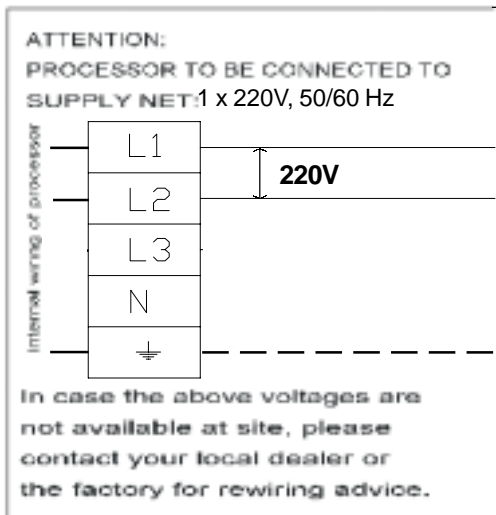
Processor	3N~ 400/230V 50/60Hz
<p>IL ACS 80 S/OL-HC</p> <p>6,6 kW 13 A</p>	<div data-bbox="863 383 1401 943" style="border: 1px solid black; padding: 5px;"> <p>ATTENTION: PROCESSOR TO BE CONNECTED TO SUPPLY NET: 3N~380/220V 50/60Hz</p>  <p>In case the above voltages are not available at site, please contact your local dealer or the factory for rewiring advice.</p> </div>
<p>IL ACS 110 S/OL-HC</p> <p>11,5 kW 20 A</p>	

alternatives, to be indicated when ordering



IL ACS 80 S/OL-HC
6,6 kW
20 A

IL ACS 110 S/OL-HC
11,5 kW
35 A



IL ACS 80 S/OL-HC
6,6 kW
32 A

IL ACS 110 S/OL-HC
not available
not available

DETAILS FOR SHIPMENT:

IL ACS 80 S/OL-HC

packing dimensions: 1 carton box on palette
180cm x 123cm x 145cm (L x W x H)
packing volume: 3,21 m³
weight with packing: 410 kg

IL ACS 110 S/OL-HC

packing dimensions: 2carton box on palette
180cm x 123cm x 145cm (L x W x H)
packing volume: 3,21 m³
weight with packing: 370 kg

170cm x 111cm x 90cm (L x W x H)
packing volume: 1,69 m³
weight with packing: 160 kg