

data sheet

IMAGELINE

ADB 37 - 56 S / SP OL

for

- IPA-Systems**
- Panther Plus / Pro
 - Utara 36
 - Catara 46



Colenta[®]

for Graphic Art Films or PE-Printing Plates (up to 0,2 mm)
IMAGELINE S - TYPE 125 cm/min at 20 sec dev time
IMAGELINE SP - TYPE 175 cm/min at 20 sec dev time

03/2001 AN

Colenta Imageline[®]

IL ADB 37 - 56 S/SP OL

All S/SP-Type processors with 9 preprogrammable processing cycles, intermediate rinse bath rack system, covered stand, hose/tube connection (100 mm diam.) facility for ventilation (external fan) of wet-section of processor, with 2 x 30 ltr. replenisher tanks

- **With** level control in processor's dev/fix-tanks, incl. automatic fill up of chemistry in case of too low dev/fix-level.
- **With** level control in wash tanks, monitoring too high/low level, read out/alarm on controller display.
- **With** automatic waterfill up when processor is switched on.

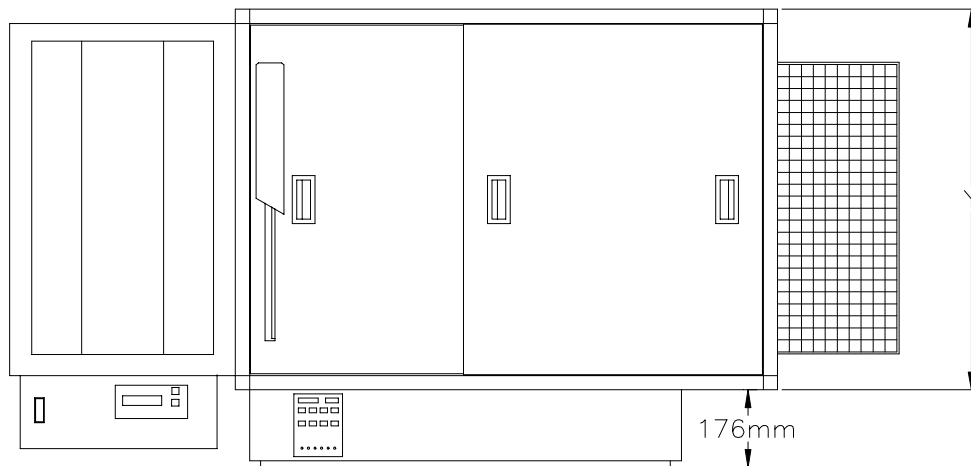
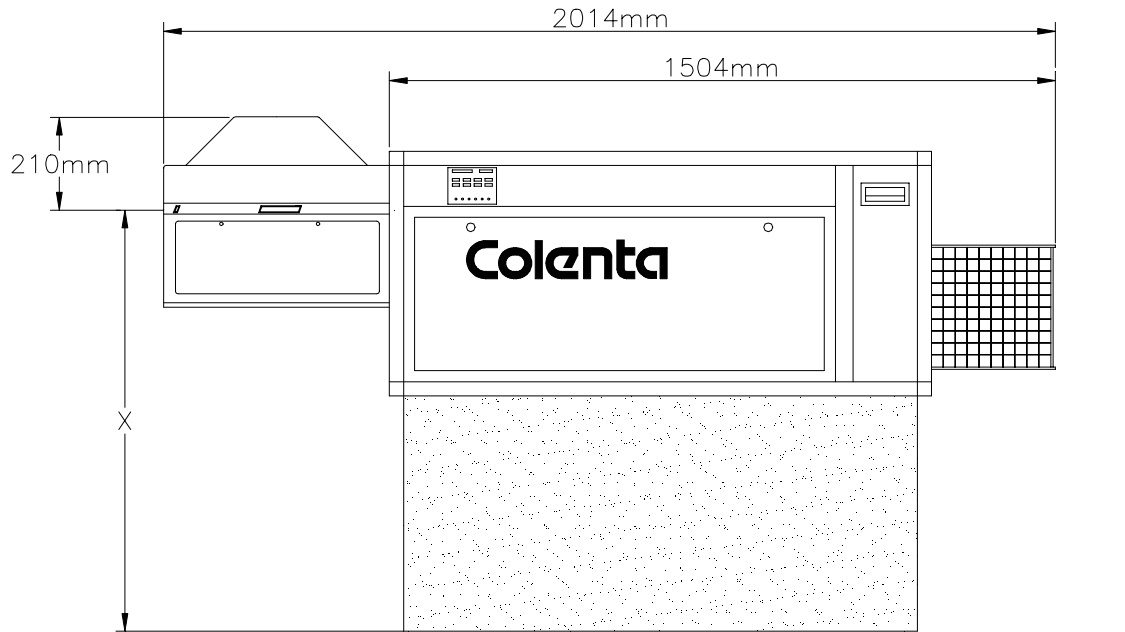
Technical Specifications

Processing applications:	Rolls/Cut sheets of all commonly used film/paper inclusive of I.R.Material all commonly used polyester PLATES (up to 0.2mm)	
Film thickness:	min. 0,10 mm	
Material width:	min. 7,5 cm max. 37/56 cm	
Material length:	min. 10 cm	
Time in Developer:	S: min. 20 sec - max. 92 sec SP: min. 19 sec - max 110 sec	
Input speed:	S: 20sec/DEV-Time 125cm/min SP: 20sec/DEV-Time 175cm/min	
Tank capacity -		
Developer:	IL 37 SP 10l	IL 56 SP 13l
Fixer:	10l	13l
Wash water:	9.5l	12.5l
Tank capacity -		
Developer:	IL 37 S 6l	IL 56 S 9l
Fixer:	6l	9l
Wash water:	5.5l	8.5l
Solution heating(Fix and DEV):	adjustable in a range of 18°C - 43°C (separate inline 350/550W heaters)	
Dryer:	warm air adjustable in a range of 18°C - 55°C	
Replenishment:	fully automatic. replenishment is microprocessor controlled and calculated from information received from sensors measuring the width and length of material entering the processor. Replenishment cycles are adjustable.	
Wash water distribution:	built in 3-way magnetic valve	
Wash water flow rate:	2,5 ltr/min when film is processed	
Wash water supply pressure:	3 - 10 bar	
Wash water supply:	filtered at a temperature of 8°C - 15°C with 3/4" hose connection	
Wash water drain:	32mm (5/4inch) hose or tube	

<u>Weight:</u>	Empty	IL 37 S 215 kg	IL 56 S 275 kg
	With solution	233 kg	302 kg
	Empty	IL 37 SP 230 kg	IL 56 SP 305 kg
	With solution	275 kg	345 kg

Technical specification subject to change without notice.

DIMENSIONS: SP-Version

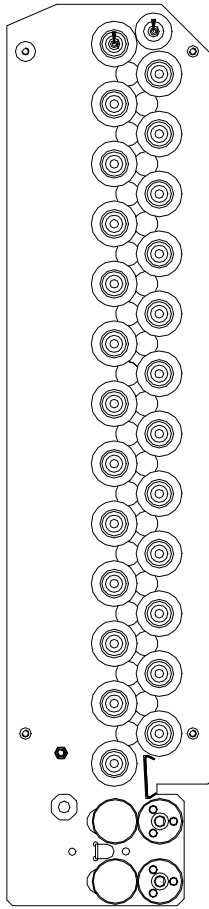


Y for IL 37 SP 650 mm
Y for IL 56 SP 860 mm

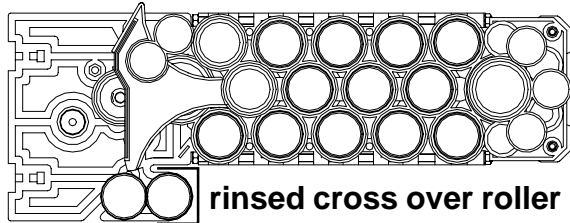
X.....this measurement depends on
the output level of the imagesetter

RACKSYSTEM: IL37 - 56 SP/OL

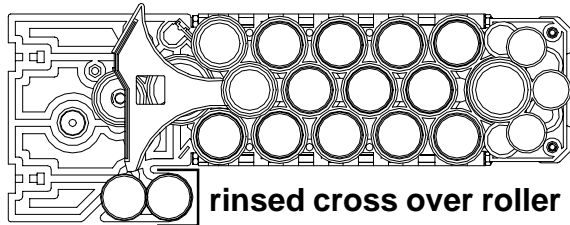
DRYER



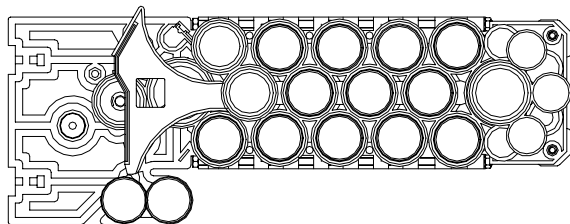
WASH



FIX

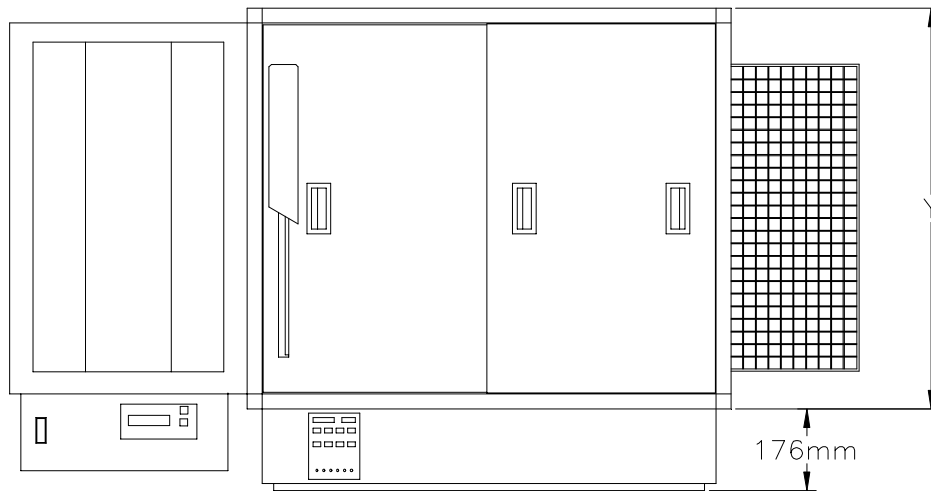
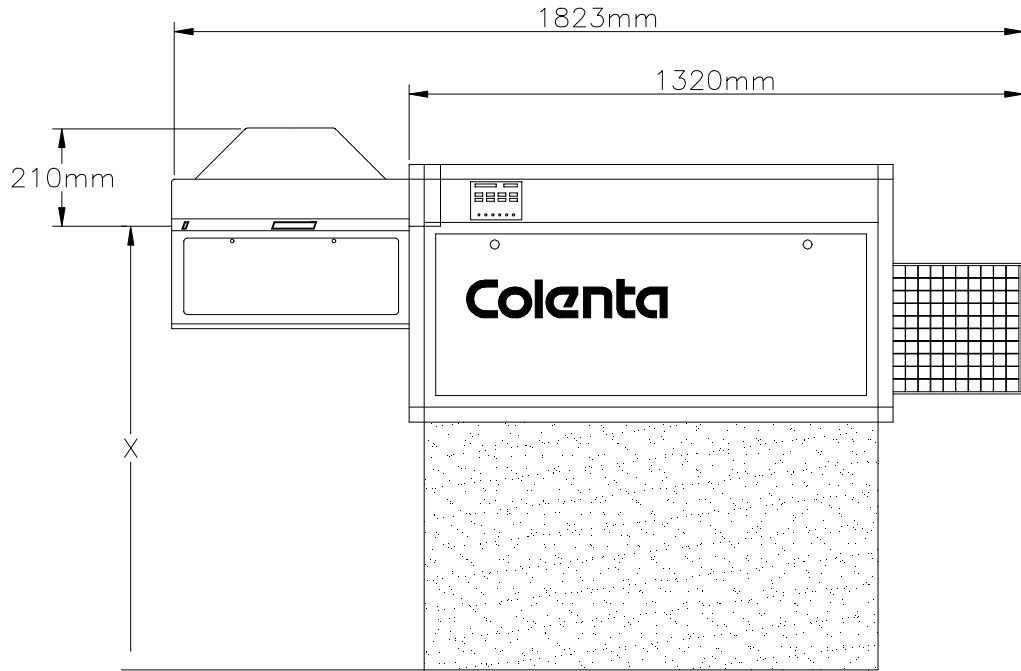


DEV



DIMENSIONS:

S-Version

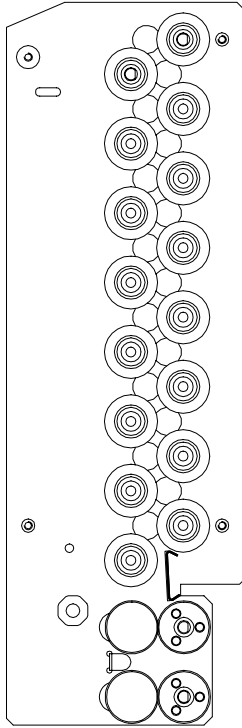


X.....this measurement depends on
the output level of the imagesetter

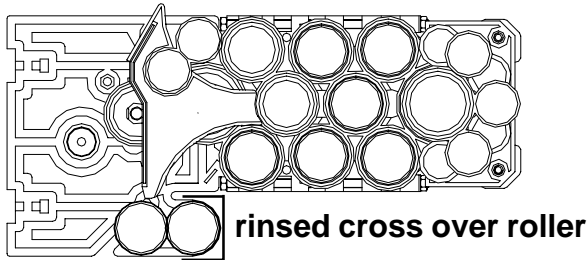
Y for IL 37 S 650 mm
Y for IL 56 S 860 mm

RACKSYSTEM: IL37 - 56 S/OL

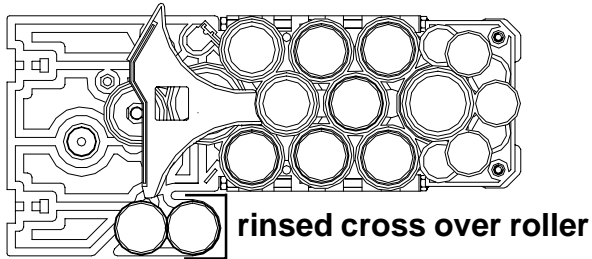
DRYER



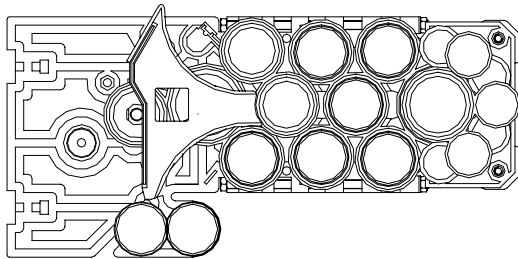
WASH



FIX

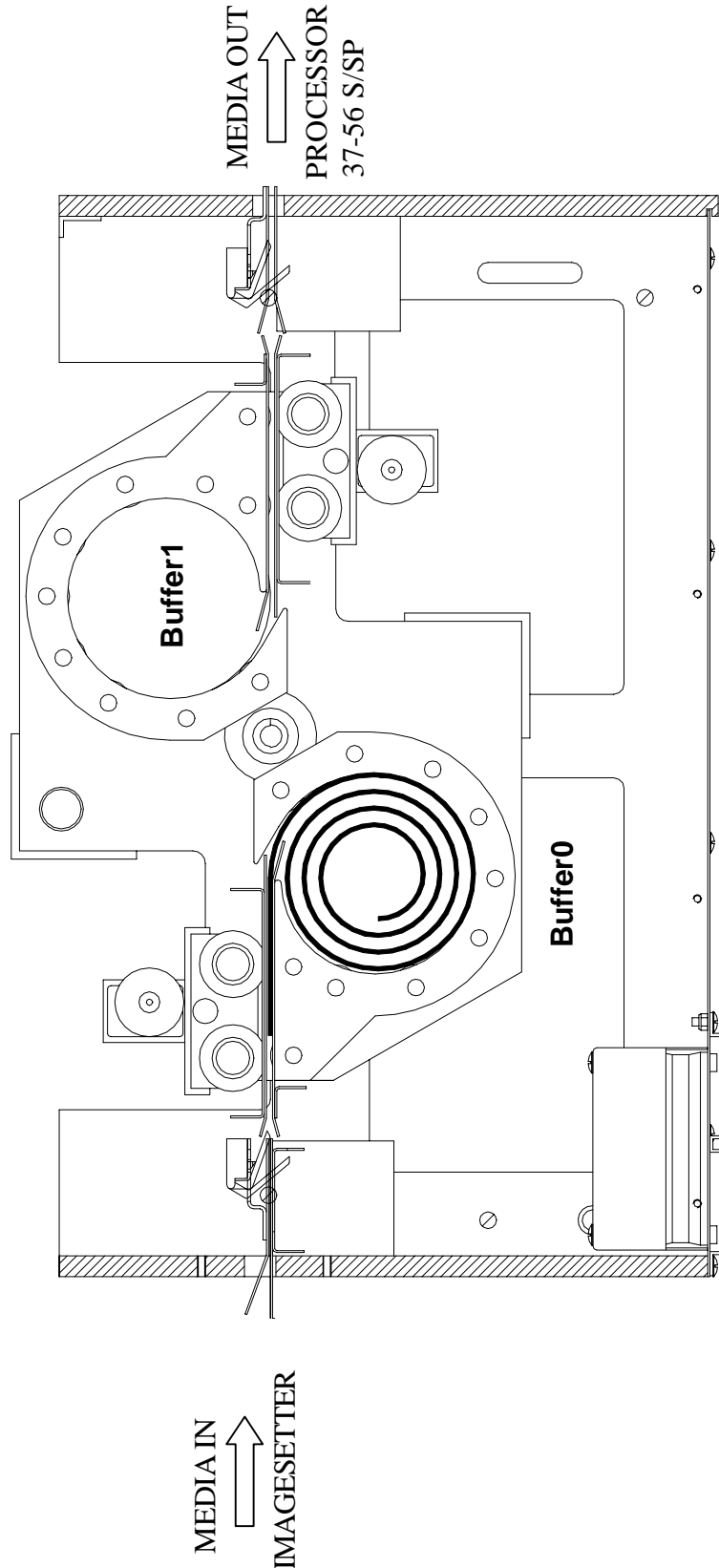


DEV

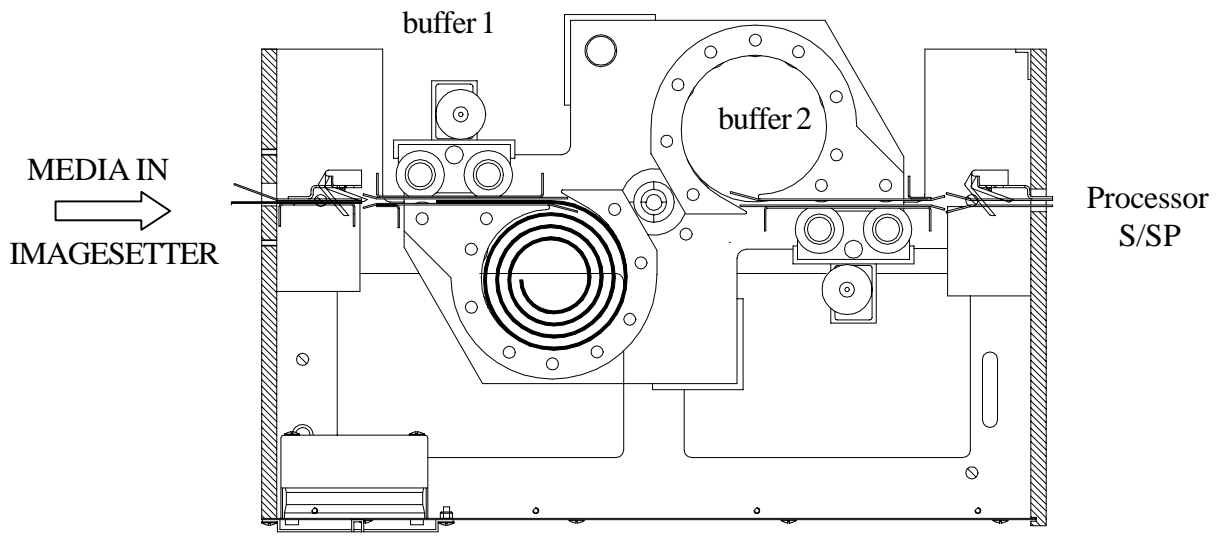


COLENTA DOUBLE BUFFER SYSTEM

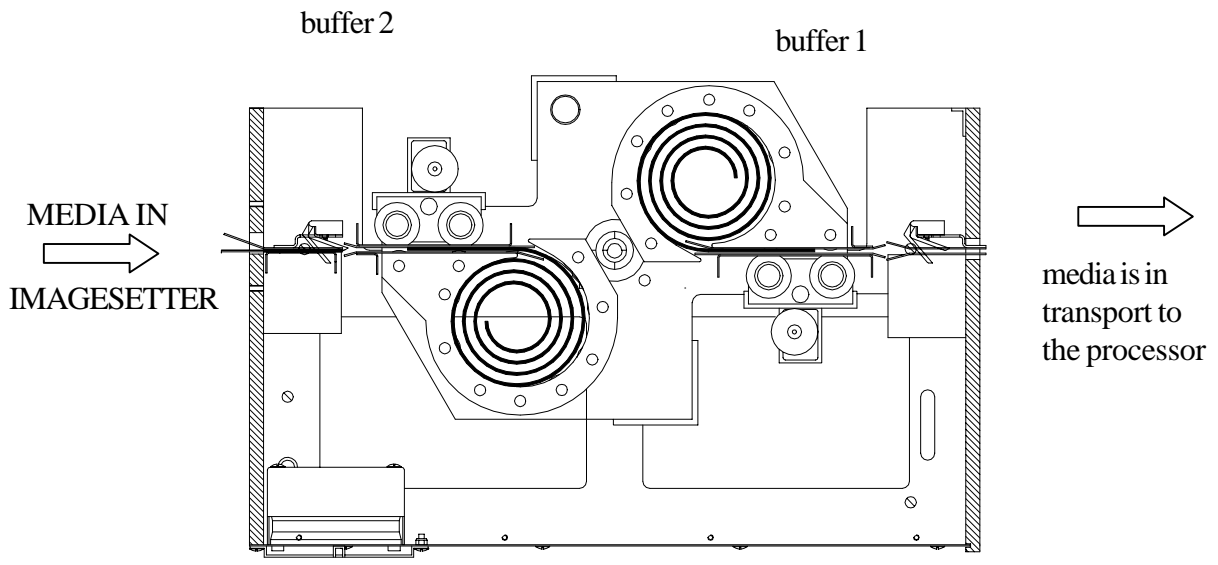
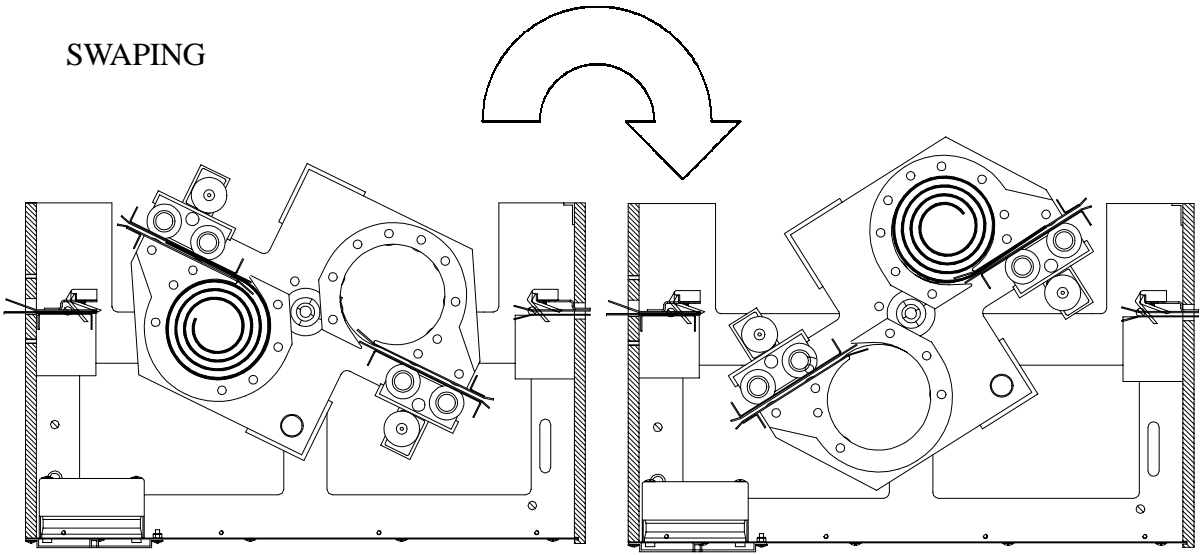
ADB 37 - 56.....Emulsion DOWN



DESCRIPTION OF THE AC-DB:



SWAPING



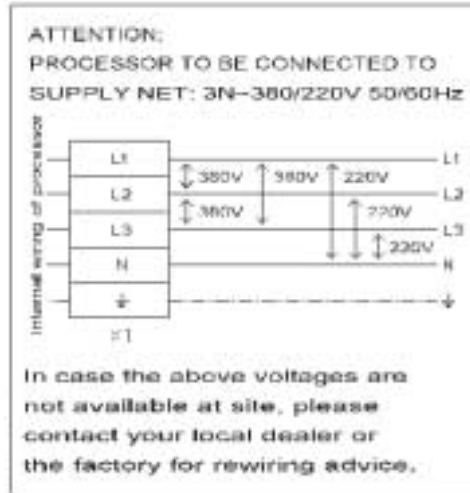
Electrical supply: (Standard, when 3N~400/230V, 50/60 Hz supply available)

3N~400/230V 50/60Hz

<u>IL 37 S</u>	<u>IL 56 S</u>
-----*)	6,4 kW
-----*)	13 A

<u>IL 37 SP</u>	<u>IL 56 SP</u>
4,4 kW	6,4 kW
13 A	13 A

*).....IL37S : Single phase 230V, 50/60 Hz, 3,2Kw , 16A

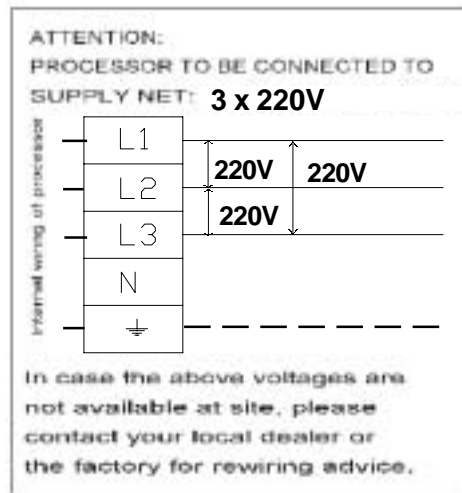


(alternatives, to be indicated when ordering)

3~220V 50/60Hz

<u>IL 37 S</u>	<u>IL 56 S</u>
-----	6,4 kW
-----	20 A

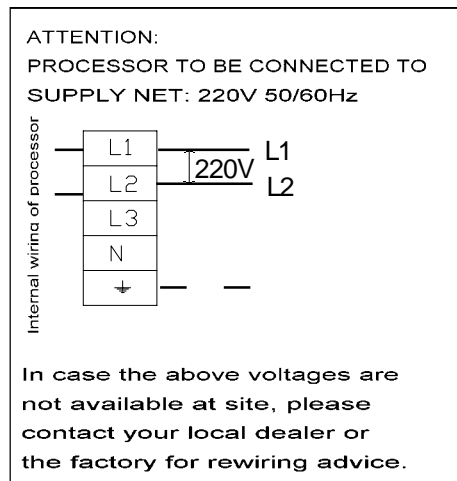
<u>IL 37 SP</u>	<u>IL 56 SP</u>
4,4 kW	6,4 kW
13 A	20 A



220V~ 50/60Hz

<u>IL 37 S</u>	<u>IL 56 S</u>
3,2 kW	6,4 kW
16 A	32 A

<u>IL 37 SP</u>	<u>IL 56 SP</u>
4,4 kW	6,4 kW
20 A	32 A



Details for shipment:

IL ADB 37 S-OL

packing dimensions:

1 carton box on palette

170cm x 111cm x 123cm (L x W x H)

packing volume:

2,32 m³

weight with packing:

250 kg

IL ADB 56 S-OL

packing dimensions:

1 carton box on palette

170cm x 111cm x 123cm (L x W x H)

packing volume:

2,32 m³

weight with packing:

320 kg

IL ADB 37 SP-OL

packing dimensions:

1 carton box on palette

190cm x 111cm x 115cm (L x W x H)

packing volume:

2,42 m³

weight with packing:

295 kg

IL ADB 56 SP-OL

packing dimensions:

1 carton box on palette

190cm x 111cm x 115cm (L x W x H)

packing volume:

2,32 m³

weight with packing:

380 kg