

data sheet

IMAGELINE PLATE

COLENTA

ILP 85 LS OFFLINE



Colenta[®]

for AGFA Lithostar CTP - Printing Plates
IMAGELINE PLATE - TYPE ILP 85 LS

08/2001 AN

Colenta Imageline Plate[®] ILP 85 LS

Technical Specifications:

Processing applications:
Plate width:

AL-CTP AGFA Lithostar
max. 85 cm (33,5 inch)

Microprocessor Control:

- with 4 preprogrammable processing cycles
and 1 overnight program (Sleepmode)

Transport Speed (at 10 sec DEV-Time):
DEV-Time incl. Diffusion Time:

- 170cm/min - 67 inch/min
- preprogrammable 8 to 40 sec.
(recommended from AGFA 35sec/100cm/min)

	Tankcapacity	Temperature*)	Repl. Rate*)
Developer :	14,5 lt	15 - 45°C	40-2000ml/m ²
Wash :	13,4 lt	18 - 55°C	40-2000ml/m ²
Rinse :	5.9 lt	18 - 55°C	
Finisher :	6,7 lt	18 - 55°C	40-2000ml/m ²
Dryer :	-	18 - 60°C	

Replenishment:

- controlled by six-sensors, measuring plate area
- activated after 0,1 - 0,999m²* plate area fed into the processor
- antioxidation/standby replenishment, activated after 0-9 hours *

**Anticrystallisation/
Selfcleaning Cycle
during Standby:**

- activated : each 1 - 20 min *
- cycle time : duration 1 - 3 min *

Delayed Start of Transport :

0 - 10 sec *

Filter Replacement Programming:

0 - 9999 m² *

Selectable Processing Modes:

Automatic:

Processor goes to a standby „ready“ condition when a process cycle is completed.

Manual:

all functions operated manually

Rewash:

activated when the rewash feed slot is opened

Service

Using the Repl.Pumps to fill the processor tanks after cleaning.

Monitor

Used to view and check processor functions.

.....* all values preprogrammable

Control: - Activate and Monitoring features inform, warn and alert the operator to an error in the system.

Solution Levels:

-Low Level monitoring in Dev-, Wash-, Rinse- and Finisher Tank of processor **
-Automatic Fill Up of above Levels when processor is switched on
-High Level monitoring in Overflow Collection Tank (waste management) **
-Low Level in Repl. Tanks for Wash and Finisher **

Temperatures:

High / Low level monitoring of the Dev,Wash,Rinse, Finisher and dryer temperatures.

ILP 85 LS

Water and Energy saving: Both the Wash and dryer systems activate only when required.

Work in Progress : Details the position of the plates through the processor.

Transport:

- drive motor overload monitoring **
- plate in/plate out check facility **
- security cover lid switch **
- rewash cover lid switch **

**** when activated will operate an audible warning and a message alert to confirm the error type.**

Additional Accessories and Features:

- Inbuilt Chiller unit
- A drawer unit within the main frame to house the replenishment and waste collection tanks.
- Split processor frame, allowing easy access through a standard door opening of 70cm (28inch)

		ILP 85 LS	
Weight	Empty	385	kg
	With solution	425	kg

Technical specification subject to change without notice.

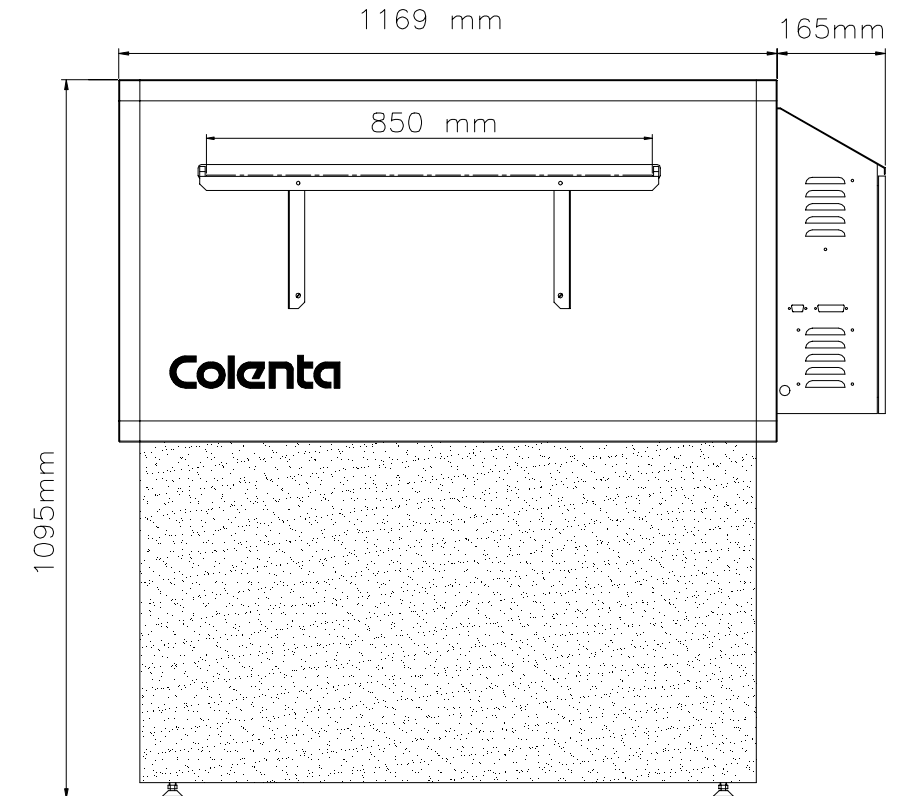
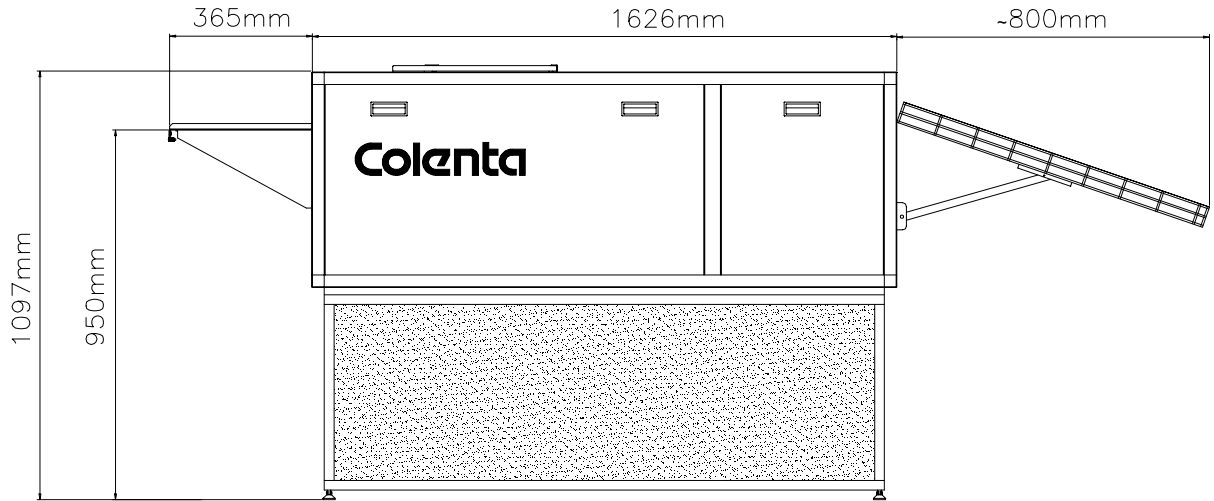
Details for shipment:

ILP 85 LS

packing dimensions:	1 carton box on palette
packing volume:	170cm x 152cm x 155cm (L x W x H)
weight with packing:	4,00 m³
	475 kg

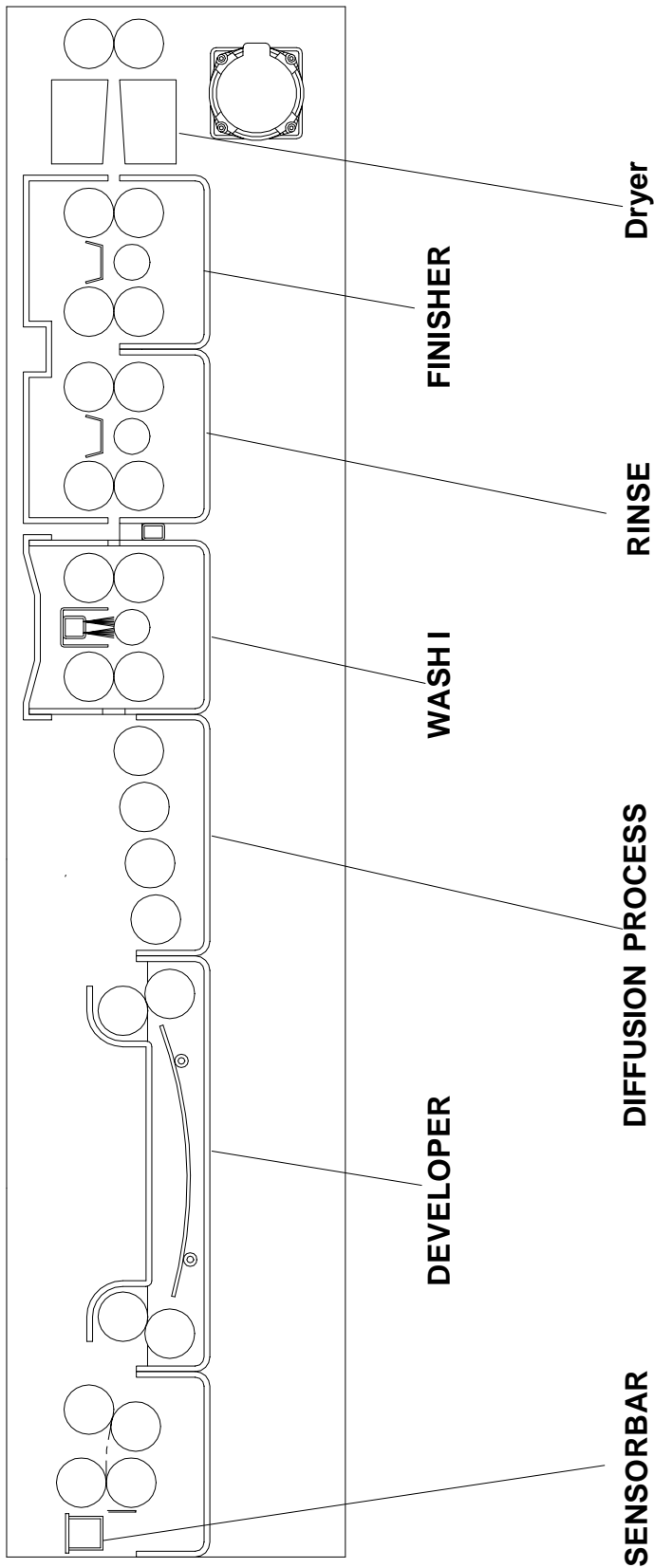
DIMENSIONEN

ILP 85 LS



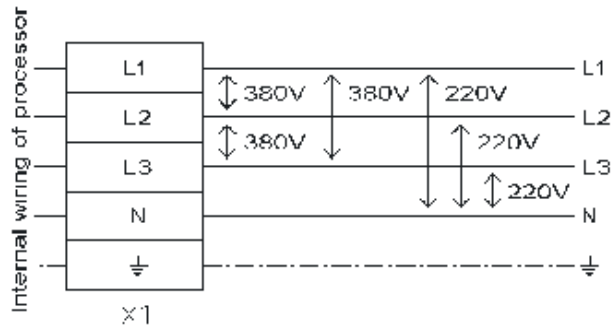
Transportsystem:

ILP 85 LS



Electrical supply: (Standard, when 3N~400/230V, 50/60 Hz supply available)

ATTENTION:
PROCESSOR TO BE CONNECTED TO
SUPPLY NET: 3N~380/220V 50/60Hz



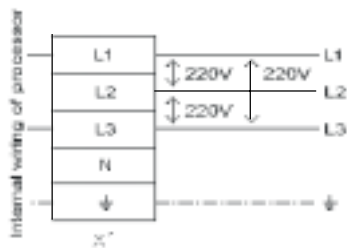
In case the above voltages are not available at site, please contact your local dealer or the factory for rewiring advice.

ILP 85 LS

**6 KW
13 A**

alternatives, to be indicated when ordering

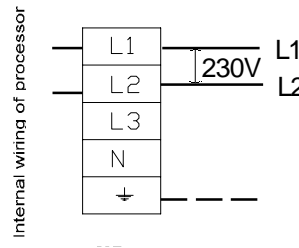
ATTENTION:
PROCESSOR TO BE CONNECTED TO
SUPPLY NET: 3~220V 50/60Hz



In case the above voltages are not available at site, please contact your local dealer or the factory for rewiring advice.

ILP 85 LS
3 x 230V, 6 KW
20A

ATTENTION:
PROCESSOR TO BE CONNECTED TO
SUPPLY NET: 230V50/60Hz



In case the above voltages are not available at site, please contact your local dealer or the factory for rewiring advice.

ILP 85 LS
Single Phase
230V, 6 KW
32A