

data sheet

Colenta[®]

INDX 900 NDT

X-Ray-Filmprocessor



Colenta[®]

COLENTA Industrial X-Ray Film Processor:
TYPE: INDX 900 For all standard Industrial X-Ray Films



05/2004 AN

Colenta[®] INDX 900 NDT X-Ray-Filmprocessor

Technical Specifications

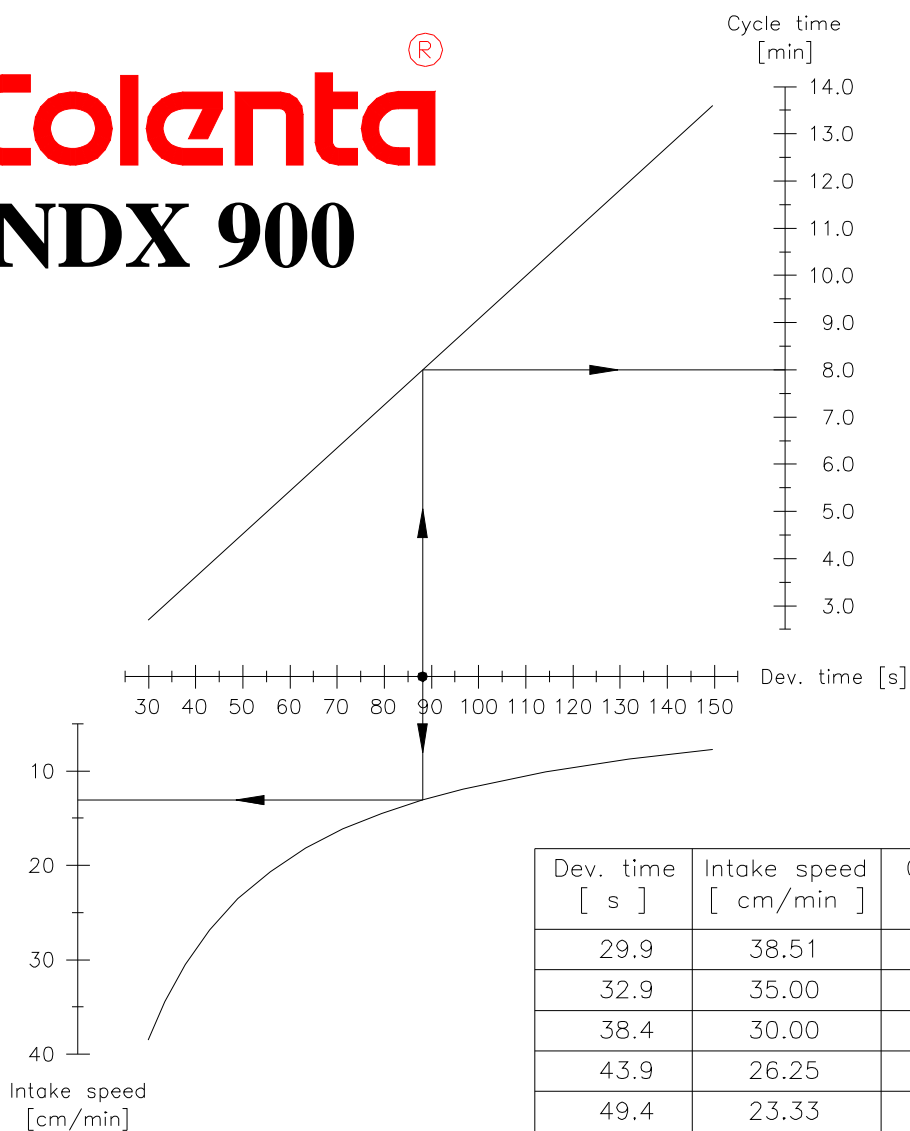
Processing applications:	All type of Industrial X-Ray films	
Film thickness:	min. 0,10 mm	
Material width:	min. 6 cm (2.36") - max. 36 cm (14")	
Material length:	min. 10 cm (4")	
Time in Developer:	min. 30 sec	max. 150 sec
Intake Speed:	38 cm/min	8 cm/min
Cycle Time:	2,7 min (162 sec)	13,6 min (816 sec)
	(see the table on one of the next page)	

		INDX 900
Tank capacity -	Developer:	2,6 L
	Fixer:	2,5 L
	Wash water:	3 L
Solution heating(Fix and DEV):		variable in a range of 18°C - 43°C (350W Inline Heater)
Dryer:		warm air
Replenishment:		fully automatic. replenishment is microprocessor controlled and calculated from information received from sensors measuring the width and length of material entering the processor. Replenishment cycles are variable.
power supply:		1 / N / PE~ 230V (+6% / -10%), 50Hz, 13A, 1.7KW (alternatives are available on request)
water supply:		2-way magnetic valve, with 3/4" hose connection by using a DVGW-approved system-separating device or pipe-separating device.
Wash water flow rate:		1,5 ltr/min when film is in process
Wash water supply pressure:		3 - 10 bar
Wash water supply:		filtered at a temperature of 10°C - 15°C
		INDX 900
<u>Weight:</u>	Empty	58 kg
	With solution	66 kg

Technical specification subject to change without notice.

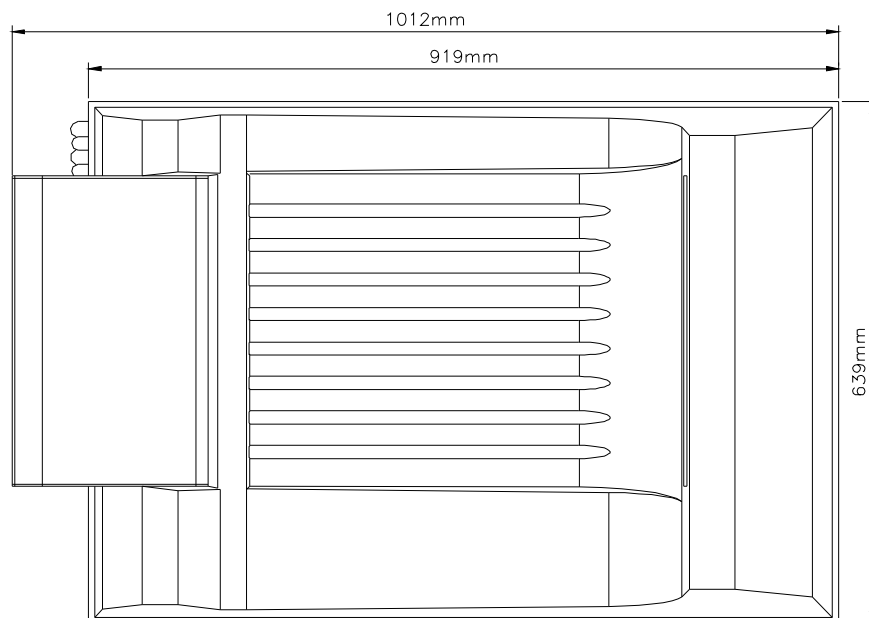
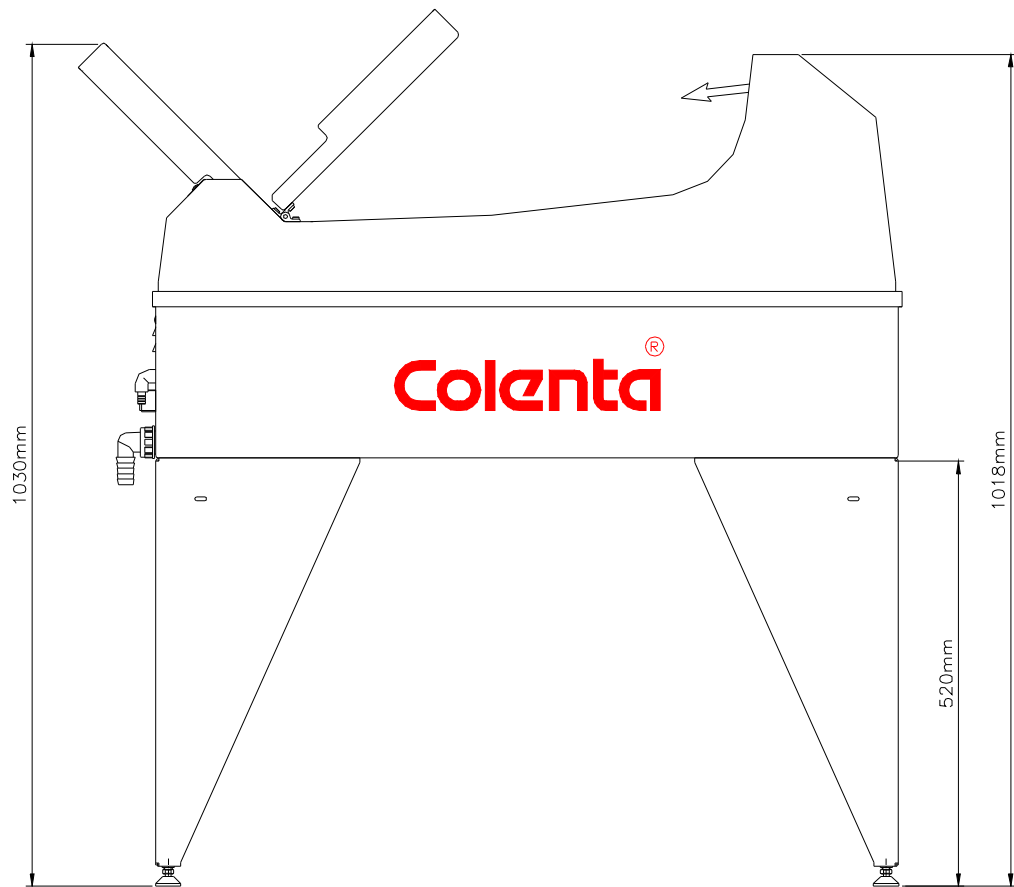
INPUT SPEED / DEV-TIME / CYCLE-TIME:

Colenta[®]
INDX 900



Dev. time [s]	Intake speed [cm/min]	Cycle time [min]
29.9	38.51	2.7
32.9	35.00	3.0
38.4	30.00	3.5
43.9	26.25	4.0
49.4	23.33	4.5
54.9	21.00	5.0
60.3	19.09	5.5
65.8	17.50	6.0
71.3	16.15	6.5
76.8	15.00	7.0
82.3	14.00	7.5
87.8	13.13	8.0
93.3	12.35	8.5
98.7	11.67	9.0
104.2	11.05	9.5
109.7	10.50	10.0
120.7	9.55	11.0
131.7	8.75	12.0
142.6	8.08	13.0
149.6	7.70	13.6

DIMENSIONS OF COLENTA INDX 900:



Power Supply:

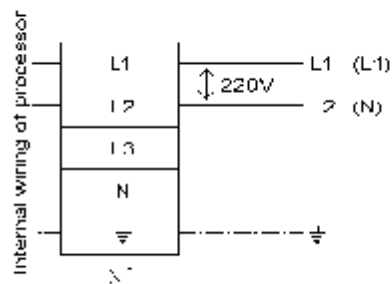
INDX 900

230V~ 50/60Hz

1,7 kW

13 A

ATTENTION:
PROCESSOR TO BE CONNECTED TO
SUPPLY NCT: 220V 50/60Hz



In case the above voltages are
not available at site, please
contact your local dealer or
the factory for rewiring advice.

Details for shipment:

INDX 900

Packing dimensions:	1 carton box on palette
Packing volume:	120cm x 80cm x 80cm (L x W x H)
Weight with packing:	0,768 m³
	80 kg